

Busway Spectra® Series Busway

Sandwich Bus

Plugs

Outlines and Dimensions

Section 11

Spectra® RMS Circuit Breaker Busway Plugs Outer Dimensions

Tier	Frame Type	Width (in.)	Length (in.)	Depth (in.)	Handle Height ¹	Weight (Lbs.)	Plug-in Outlets	Figure
Lowest	SED	11	13	8	9.12	25	1	A
Low	SEH	11	13	8	9.12	25	1	A
Low	SFH	11	21.25	9	9.5	41	1	A
Low	SGH	16.75	26.5	12	18	91	2	B
Low	SKH ²	16.75	36.5	12	18	160	2	B
Mid	SEL	11	13	8	9.12	25	1	A
Mid	SFL	11	21.25	9	9.5	41	1	A
Mid	SGL	16.75	26.5	12	18	91	2	B
Mid	SKL ²	16.75	36.5	12	18	160	2	B
Peak	SEP	11	13	8	9.12	25	1	A
Peak	SFP	11	21.25	9	9.5	41	1	A
Peak	SGP	16.75	26.5	12	18	91	2	B
Peak	SKP ²	16.75	36.5	12	18	160	2	B

¹Maximum distance from enclosure bottom to handle tip.

²For ground fault option, increase width dimension by 2.125 inches and length dimension by 6 inches.

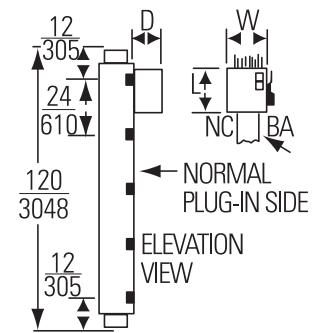
Standard Molded Case Circuit Breaker

Type	Frame Type	Width (in.)	Length (in.)	Depth (in.)	Figure
Standard and Hi-Break	TEB	11	13	8	A
	TED4	11	13	8	A
	THED	11	13	8	A
	TFJ	11	18.5	9.5	A
	TFK	11	18.5	9.5	A
	THFK	11	18.5	9.5	A
	TJJ	16.75	24.5	12	B
	TJK4	16.75	24.5	12	B
	TJK6	16.75	24.5	12	B
	THJK4	16.75	24.5	12	B
THJK6	16.75	24.5	12	B	
TKM8, THKM8, THK, KM		16.75	36.5	12	A
Tri-Break®	TB1	11.00	18.50	8	A
	TB4	16.75	30.5	12	B
	TB6	16.75	45.25	12	B
	TB8	16.75	45.25	12	B

Fusible Outer Dimensions

Type	Voltage	Amperage	Weight (Lbs.)	Width (in.)	Length (in.) Standard Gutter	Length (in.) Extended Gutter	Depth (in.)	Figure
QMR	240 and 600 VAC	30	24	11.25	13	18.75	8.75	A
QMR	240 and 600 VAC	60	25	11.25	13	18.75	8.75	A
QMR	240 and 600 VAC	100	28	11.25	18.75	N/A	8.75	A
QMR	240 and 600 VAC	200	46	16	18.75	24.5	8.75	A
QMR	240 and 600 VAC	400	135	20.5	18.75	N/A	18.75	B
QMR	240 and 600 VAC	600	160	20.5	24.5	N/A	18.75	B

NA = Not Available



Typical Vertical Application

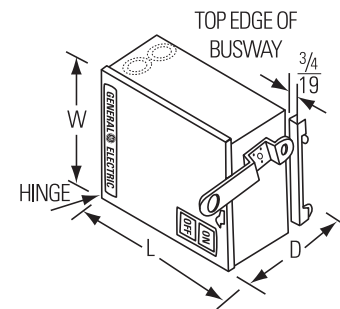


Figure A: Door hinges at left end. All dimensions are shown over largest part of plug.

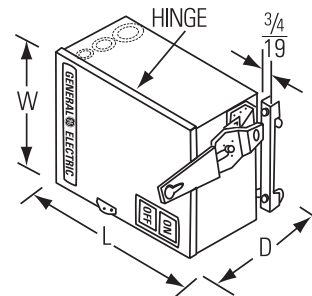


Figure B: Door hinges top. All dimensions are shown over largest part of plug.

Decimal	Fraction
.12	1/8
.38	3/8
.63	5/8
.88	7/8



Busway Armor-Clad Busway

Busway Plugs
Product Number Pricing

Section 11

Tri-Break® Three-Phase, Three-Wire TB1

Voltage	Trip Amps	Product Number	List Price GO-114A
600 Volts Fixed Trip	15	AC31B1E05G	\$2667.00
600 Volts Fixed Trip	20	AC32B1E05G	\$2667.00
600 Volts Fixed Trip	30	AC33B1E05G	\$2667.00
600 Volts Fixed Trip	40	AC34B1E05G	\$2667.00
600 Volts Fixed Trip	50	AC35B1E09G	\$2667.00
600 Volts Fixed Trip	70	AC37B1E09G	\$2667.00
600 Volts Fixed Trip	100	AC310B1E09G	\$2667.00

Tri-Break® Three-Phase, Three-Wire TB4

Voltage	Trip Amps	Product Number	List Price GO-114A
600 Volts Inter. Trip	125	AC312B4F14G	\$6065.00
600 Volts Inter. Trip	150	AC315B4F14G	\$6065.00
600 Volts Inter. Trip	200	AC320B4F14G	\$6065.00
600 Volts Inter. Trip	225	AC322B4F14G	\$6065.00
600 Volts Inter. Trip	300	AC330B4F14G	\$7250.00
600 Volts Inter. Trip	400	AC340B4F14G	\$7250.00

Tri-Break® Three-Phase, Three-Wire TB6

Voltage	Trip Amps	Product Number	List Price GO-114A
600 Volts Inter. Trip	300	AC330B6J14G	\$10886.00
600 Volts Inter. Trip	400	AC340B6J14G	\$10886.00
600 Volts Inter. Trip	500	AC350B6J14G	\$10886.00
600 Volts Inter. Trip	600	AC360B6J14G	\$10886.00

Tri-Break® Three-Phase, Three-Wire TB8

Voltage	Trip Amps	Product Number	List Price GO-114A
600 Volts Inter. Trip	600	AC360B8K22G	\$12335.00
600 Volts Inter. Trip	700	AC370B8K22G	\$12335.00
600 Volts Inter. Trip	800	AC380B8K22G	\$12335.00

Tri-Break® Three-Phase, Four-Wire TB1

Voltage	Trip Amps	Product Number	List Price GO-114A
600 Volts Fixed Trip	15	AC41B1E05G	\$2750.00
600 Volts Fixed Trip	20	AC42B1E05G	\$2750.00
600 Volts Fixed Trip	30	AC43B1E05G	\$2750.00
600 Volts Fixed Trip	40	AC44B1E05G	\$2750.00
600 Volts Fixed Trip	50	AC45B1E09G	\$2750.00
600 Volts Fixed Trip	70	AC47B1E09G	\$2750.00
600 Volts Fixed Trip	100	AC410B1E09G	\$2750.00

Tri-Break® Three-Phase, Four-Wire TB4

Voltage	Trip Amps	Product Number	List Price GO-114A
600 Volts Inter. Trip	125	AC412B4F14G	\$6213.00
600 Volts Inter. Trip	150	AC415B4F14G	\$6213.00
600 Volts Inter. Trip	200	AC420B4F14G	\$6213.00
600 Volts Inter. Trip	225	AC422B4F14G	\$6213.00
600 Volts Inter. Trip	300	AC430B4F14G	\$7694.00
600 Volts Inter. Trip	400	AC440B4F14G	\$7694.00

Tri-Break® Three-Phase, Four-Wire TB6

Voltage	Trip Amps	Product Number	List Price GO-114A
600 Volts Inter. Trip	300	AC430B6J14G	\$11216.00
600 Volts Inter. Trip	400	AC440B6J14G	\$11216.00
600 Volts Inter. Trip	500	AC450B6J14G	\$11216.00
600 Volts Inter. Trip	600	AC460B6J14G	\$11216.00

Tri-Break® Three-Phase, Four-Wire TB8

Voltage	Trip Amps	Product Number	List Price GO-114A
600 Volts Inter. Trip	600	AC460B8K22G	\$12663.00
600 Volts Inter. Trip	700	AC470B8K22G	\$12663.00
600 Volts Inter. Trip	800	AC480B8K22G	\$12663.00

Switch-Operated Fusible Plugs Three-Phase, Three-Wire

Voltage	Trip Amps	Product Number	List Price GO-114B
240	30	AC321RG	\$420.00
240	60	AC322RG	\$462.00
240	100	AC323RG	\$642.00
240	200	AC324RG	\$1088.00
240	400	AC325RG	\$2831.00
240	600	AC326RG	\$3869.00
480 or 600	30	AC361RG	\$462.00
480 or 600	60	AC362RG	\$479.00
480 or 600	100	AC363RG	\$668.00
480 or 600	200	AC364RG	\$1137.00
480 or 600	400	AC365RG	\$2831.00
480 or 600	600	AC366RG	\$3869.00

With QMR Interrupter Fuses Not Included

Switch-Operated Fusible Plugs Three-Phase, Four-Wire

Voltage	Trip Amps	Product Number	List Price GO-114B
240	30	AC421RG	\$495.00
240	60	AC422RG	\$528.00
240	100	AC423RG	\$717.00
240	200	AC424RG	\$1218.00
240	400	AC425RG	\$3021.00
240	600	AC426RG	\$4214.00
480 or 600	30	AC461RG	\$528.00
480 or 600	60	AC462RG	\$545.00
480 or 600	100	AC463RG	\$767.00
480 or 600	200	AC464RG	\$1260.00
480 or 600	400	AC465RG	\$3021.00
480 or 600	600	AC466RG	\$4221.00

With QMR Interrupter Fuses Not Included

Shunt Trip Option

List Price GO-114M
List Price Adder
\$1152.00



Publications and Reference: See Section 22 for a complete list of additional product-related publications