

Busway Spectra® Series Busway (continued)

Sandwich Bus

Plugs, Fusible, Conversion Kits

Section 11

Adapter Kits Convert Spectra® Series plugs to Armor-Clad

Amperage	Product Number	List Price GO-114L
30-100	SBAC1G	\$128.00
150-250	SBAC4G	\$294.00
400-800	SBAC5G	\$442.00

Ground stabs included.

Adapter Kits

Convert Spectra® Series Bus Plugs to Spectra® LowAmp Bus

Amperage	Product Number	List Price GO-114L
30-100	SBSL1G	\$128.00
200-225	SBSL4G	\$294.00
400-600	SBSL5G	\$442.00

(Style 2—shipped after 5/95)

Ground stabs included.

Switch-Operated Fusible Plugs Three-Phase, Three-Wire

Voltage	Amperage	Product Number	List Price GO-114L
240 VAC	30	SB321RG	\$822.00
240 VAC	60	SB322RG	\$904.00
240 VAC	100	SB323RG	\$1264.00
240 VAC	200	SB324RG	\$2152.00
240 VAC	400	SB325RG	\$5626.00
240 VAC	600	SB326RG	\$7696.00
480 or 600 VAC	30	SB361RG	\$904.00
480 or 600 VAC	60	SB362RG	\$938.00
480 or 600 VAC	100	SB363RG	\$1316.00
480 or 600 VAC	200	SB364RG	\$2252.00
480 or 600 VAC	400	SB365RG	\$5694.00
480 or 600 VAC	600	SB366RG	\$7764.00

With QMR Interrupter Fuses Not Included

Switch-Operated Fusible Plugs Three-Phase, Four-Wire

Voltage	Amperage	Product Number	List Price GO-114L
240 VAC	30	SB421RG	\$972.00
240 VAC	60	SB422RG	\$1038.00
240 VAC	100	SB423RG	\$1414.00
240 VAC	200	SB424RG	\$2412.00
240 VAC	400	SB425RG	\$6006.00
240 VAC	600	SB426RG	\$8386.00
480 or 600 VAC	30	SB461RG	\$1038.00
480 or 600 VAC	60	SB462RG	\$1072.00
480 or 600 VAC	100	SB463RG	\$1514.00
480 or 600 VAC	200	SB464RG	\$2496.00
480 or 600 VAC	400	SB465RG	\$6078.00
480 or 600 VAC	600	SB466RG	\$8470.00

With QMR Interrupter Fuses Not Included

Miscellaneous Plug Modifications

—**Plug Assist**—Standard for plugs over 100 amperes. Add suffix “P” to the product number for plugs 100 amperes and below.

\$94.00, GO-114L or M.

—**Drip-Proof Plugs**—Includes cover and stab gasketing. Add suffix “I” to product number and **\$156.00 list,**

GO-114L or M.

—**Splashproof (IP54) Plugs**—Add suffix “Z” to the product number and add **\$170.00 list** of Drip-Proof. **GO-114L or M.**

—**Spectra® MVT + Option**—Add suffix “+” to the product number. Include note describing type of trip unit. See page 11-31 for **List Price Adders.**



Busway Spectra® Series Busway

Sandwich Bus

Plugs

Outlines and Dimensions

Section 11

Spectra® RMS Circuit Breaker Busway Plugs Outer Dimensions

Tier	Frame Type	Width (in.)	Length (in.)	Depth (in.)	Handle Height ¹	Weight (Lbs.)	Plug-in Outlets	Figure
Lowest	SED	11	13	8	9.12	25	1	A
Low	SEH	11	13	8	9.12	25	1	A
Low	SFH	11	21.25	9	9.5	41	1	A
Low	SGH	16.75	26.5	12	18	91	2	B
Low	SKH ²	16.75	36.5	12	18	160	2	B
Mid	SEL	11	13	8	9.12	25	1	A
Mid	SFL	11	21.25	9	9.5	41	1	A
Mid	SGL	16.75	26.5	12	18	91	2	B
Mid	SKL ²	16.75	36.5	12	18	160	2	B
Peak	SEP	11	13	8	9.12	25	1	A
Peak	SFP	11	21.25	9	9.5	41	1	A
Peak	SGP	16.75	26.5	12	18	91	2	B
Peak	SKP ²	16.75	36.5	12	18	160	2	B

¹Maximum distance from enclosure bottom to handle tip.

²For ground fault option, increase width dimension by 2.125 inches and length dimension by 6 inches.

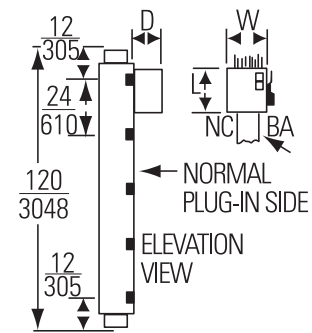
Standard Molded Case Circuit Breaker

Type	Frame Type	Width (in.)	Length (in.)	Depth (in.)	Figure
Standard and Hi-Break	TEB	11	13	8	A
	TED4	11	13	8	A
	THED	11	13	8	A
	TFJ	11	18.5	9.5	A
	TFK	11	18.5	9.5	A
	THFK	11	18.5	9.5	A
	TJJ	16.75	24.5	12	B
	TJK4	16.75	24.5	12	B
	TJK6	16.75	24.5	12	B
	THJK4	16.75	24.5	12	B
THJK6	16.75	24.5	12	B	
TKM8, THKM8, THK, KM	16.75	36.5	12	A	
Tri-Break®	TB1	11.00	18.50	8	A
	TB4	16.75	30.5	12	B
	TB6	16.75	45.25	12	B
	TB8	16.75	45.25	12	B

Fusible Outer Dimensions

Type	Voltage	Amperage	Weight (Lbs.)	Width (in.)	Length (in.) Standard Gutter	Length (in.) Extended Gutter	Depth (in.)	Figure
QMR	240 and 600 VAC	30	24	11.25	13	18.75	8.75	A
QMR	240 and 600 VAC	60	25	11.25	13	18.75	8.75	A
QMR	240 and 600 VAC	100	28	11.25	18.75	N/A	8.75	A
QMR	240 and 600 VAC	200	46	16	18.75	24.5	8.75	A
QMR	240 and 600 VAC	400	135	20.5	18.75	N/A	18.75	B
QMR	240 and 600 VAC	600	160	20.5	24.5	N/A	18.75	B

NA = Not Available



Typical Vertical Application

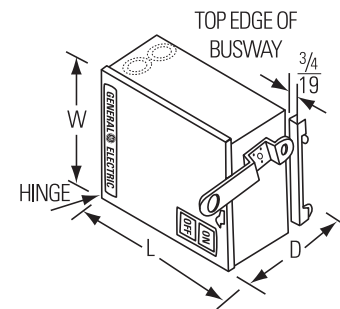


Figure A: Door hinges at left end. All dimensions are shown over largest part of plug.

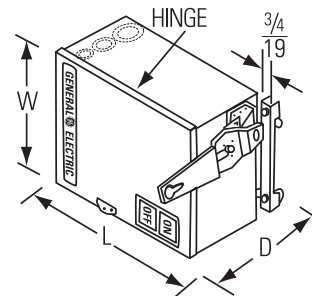


Figure B: Door hinges top. All dimensions are shown over largest part of plug.

Decimal	Fraction
.12	1/8
.38	3/8
.63	5/8
.88	7/8

